

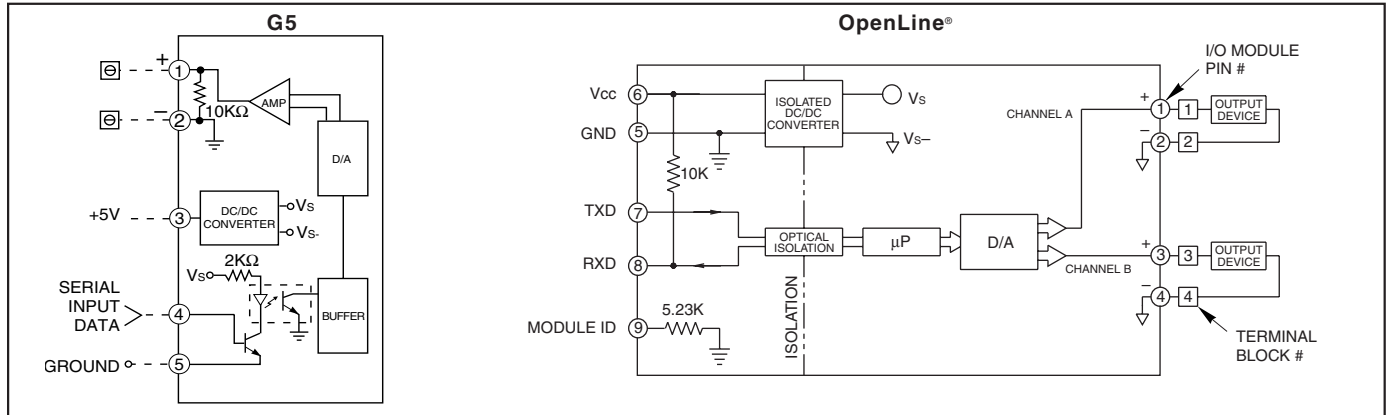


FEATURES

- Standard Package and Pin-out
- Single 5V Power Supply
- 12-Bit Resolution
- Optical Isolation
- Intermix With Digital Modules on the Same Rack
- Meets the Requirements of IEEE 472
- UL, CSA, CE Certified (OpenLine® only)



CIRCUITRY: Voltage Output



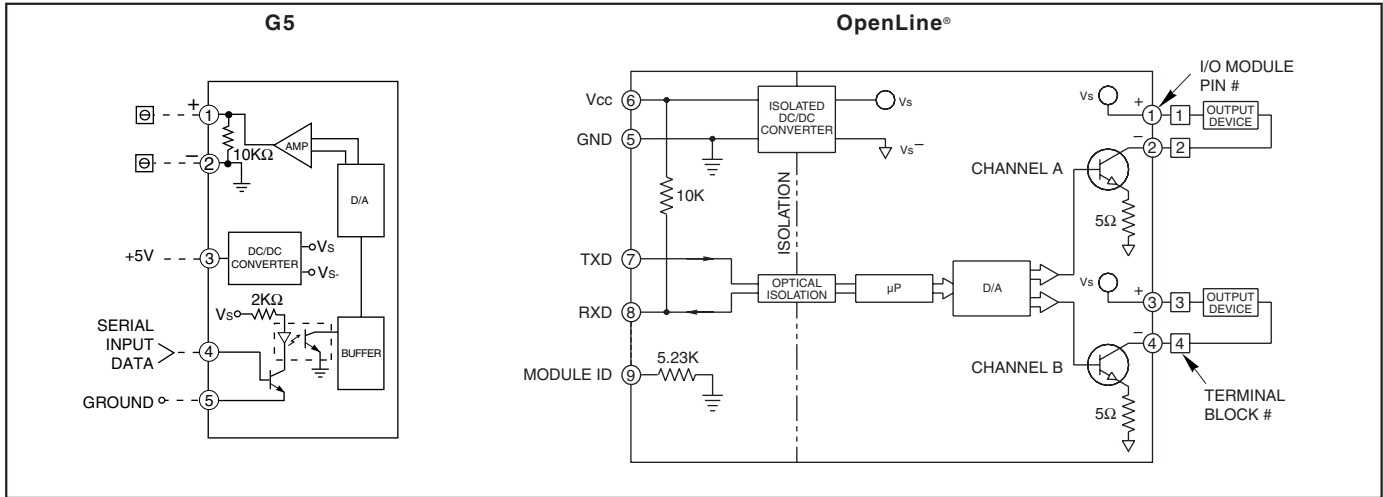
SPECIFICATIONS: By Part Number

| Type/Function | | Grayhill Part Number | | | |
|--|----------|---|---|---|---|
| G5, OpenLine® | | 73G-OV5, -OV5B | 73G-OV10, -OV10B | 73L-OV5, -OV5B | 73L-OV10, -OV10B |
| Specifications | Units | 1 Ch., Diff. 12 -OV5: 1.22 -OV5B: 2.44 0.3% of full scale | 1 Ch., Diff. 12 -OV10: 2.44 -OV10B: 4.88 0.3% of full scale | 2 Ch., S.E. 12 -OV5: 1.22 -OV5B: 2.44 0.08% of full scale | 2 Ch., S.E. 12 -OV10: 2.44 -OV10B: 4.88 0.06% of full scale |
| Number of Outputs | bits | | | | |
| Resolution | mV/count | | | | |
| Absolute Accuracy @ 25°C ^{1, 2} | PPM/°C | +/- 45 | +/- 45 | +/- 25 | +/- 25 |
| Accuracy Drift w/Temp. ² | PPM/°C | +/- 150 | +/- 150 | +/- 100 | +/- 100 |
| Maximum Offset | | | | | |
| Maximum Gain (0 to 60°C) | | | | | |
| Serial Data Format | | 12-bit packet | 12-bit packet | Left-justified, 16-bit | Left-justified, 16-bit |
| Serial Data Packet | | — | — | 115.2Kb, N, 8, 2 | 115.2Kb, N, 8, 2 |
| Step Response Time | mS | 0.5 | 0.5 | 0.8 | 0.8 |
| Output Noise Ripple | mV rms | — | — | 1.5 max. | 3.7 max. |
| Output Voltage Range | Vdc | -OV5: 0-5 -OV5B: -5-5 | -OV10: 0-10 -OV10B: -10-10 | -OV5: 0-5 -OV5B: -5-5 | -OV10: 0-10 -OV10B: -10-10 |
| Maximum Load | Ω | 250 | 1000 | 250 | 500 |
| Logic Voltage Range | Vdc | 4.5-5.5 | 4.5-5.5 | 4.75-5.25 | 4.75-5.25 |
| Maximum Logic Supply Current @ 5Vdc | mA/Ch. | 140 | 140 | 105 | 105 |
| Power Up Status | | Output @ min. value | Output @ min. value | Output @ min. value | Output @ min. value |
| Short Circuit Protection | | Yes | Yes | Yes | Yes |
| Module ID (Pin 9) | KΩ | N/A | N/A | 5.23 | 5.23 |
| Isolation Voltage | | | | | |
| Field to Logic | Vrms | 2500 | 2500 | 2500 | 2500 |
| Field to Power | Vrms | 2500 | 2500 | 2500 | 2500 |
| Module to Module | Vrms | 2500 | 2500 | 2500 | 2500 |
| Channel A to Channel B | | N/A | N/A | None | None |
| Environmental Conditions | | | | | |
| Operating Temperature | °C | 0-60 | 0-60 | -40-85 | -40-85 |
| Storage Temperature | °C | -25-85 | -25-85 | -40-100 | -40-100 |

¹ Includes offset, gain, non-linearity and repeatability error terms.

² Accuracy and drift graphs are available in Bulletin #753.

CIRCUITRY: Current Output



SPECIFICATIONS: By Part Number

| Type/Function | | Grayhill Part Number | | | | |
|---------------------------------------|----------|----------------------|---------------------|--------------------------|--------------------------|--------------------------|
| G5, OpenLine® | | 73G-OI420 | 73G-OI020 | 73L-OI420 | 73L-OI020 | 73L-OI024 |
| Specifications | Units | | | | | |
| Number of Outputs | | 1 Ch., Diff. | 1 Ch., Diff. | 2 Ch., S.E. | 2 Ch., S.E. | 2 Ch., S.E. |
| Resolution | bits | 12 | 12 | 12 | 12 | 12 |
| Absolute Accuracy @ 25°C ¹ | μA/count | 3.9 | 4.9 | 3.9 | 4.9 | 5.9 |
| Accuracy Drift w/Temp. ² | | | | | | |
| Maximum Offset | PPM/°C | +/- 45 | +/- 45 | +/- 50 | +/- 50 | +/- 50 |
| Maximum Gain (0 to 60°C) | PPM/°C | +/- 150 | +/- 150 | +/- 100 | +/- 75 | +/- 100 |
| Serial Data Format | | 12-bit packet | 12-bit packet | Right Justified, 16-bit | Right Justified, 16-bit | Right Justified, 16-bit |
| Serial Data Packet | | — | — | 115.2Kb, N, 8, 2 | 115.2Kb, N, 8, 2 | 115.2Kb, N, 8, 2 |
| Step Response Time | μS | 0.5 | 0.5 | 500 | 500 | 500 |
| Max. Loop Resistance ³ | Ohms | 330 | 330 | 500 | 500 | 500 |
| Output Current Range | mA | 4-20 | 0-20 | 4-20 | 0-20 | 0-24 |
| Maximum Load | Ω | 250 | 1000 | Continuous short circuit | Continuous short circuit | Continuous short circuit |
| Logic Voltage Range | Vdc | 4.5-5.5 | 4.5-5.5 | 4.75-5.25 | 4.75-5.25 | 4.75-5.25 |
| Maximum Logic Supply Current @ 5V dc | mA/Ch. | 140 | 140 | 80 | 80 | 100 |
| Power Up Status | | Output @ min. value | Output @ min. value | Output @ min. value | Output @ min. value | Output @ min. value |
| Short Circuit Protection | | Yes | Yes | Yes | Yes | Yes |
| Module ID (Pin 9) | KΩ | N/A | N/A | 5.23 | 5.23 | 5.23 |
| Isolation Voltage | | | | | | |
| Field to Logic | Vrms | 2500 | 2500 | 2500 | 2500 | 2500 |
| Field to Power | Vrms | 2500 | 2500 | 2500 | 2500 | 2500 |
| Module to Module | Vrms | 2500 | 2500 | 2500 | 2500 | 2500 |
| Channel A to Channel B | | N/A | N/A | None | None | None |
| Environmental Conditions | | | | | | |
| Operating Temperature ^{3, 4} | °C | 0-60 | 0-60 | -40-85 | -40-85 | -40-85 |
| Storage Temperature | °C | -25-55 | -25-55 | -40-100 | -40-100 | -40-100 |

¹ Includes offset, gain, non-linearity and repeatability error terms.

² Accuracy and drift graphs are available in Bulletin #753.

³ External loop supply can increase maximum loop resistance rating.

Available from your local Grayhill Distributor.

For prices and discounts, contact a local Sales Office, an authorized local Distributor or Grayhill.